



HRL-0100-1-3 HEATLESS DESICCANT AIR DRYER GENERAL ARRANGEMENT

TOLERANCES UNLESS
OTHERWISE SPECIFIED:

FRACTIONS = ± 1/4 "
 ANGLES = ± 3°
 INCHES = ± 1/2 "
 FINISH = 250

THE SPECIFICATIONS AND DRAWINGS DISCLOSED HEREIN ARE THE SOLE PROPERTY OF ALTEC AIR, AND SHALL NOT BE
 COPIED OR USED AS THE BASIS FOR SALE OR MANUFACTURE WITHOUT EXPRESS WRITTEN PERMISSION.

REVISION LOG

REV.	ECO.	DESCRIPTION	DATE	APPROVED
C	1245	PRODUCTION UPDATES	3/18/2022	WS

DRAWING NO.

AT20-618

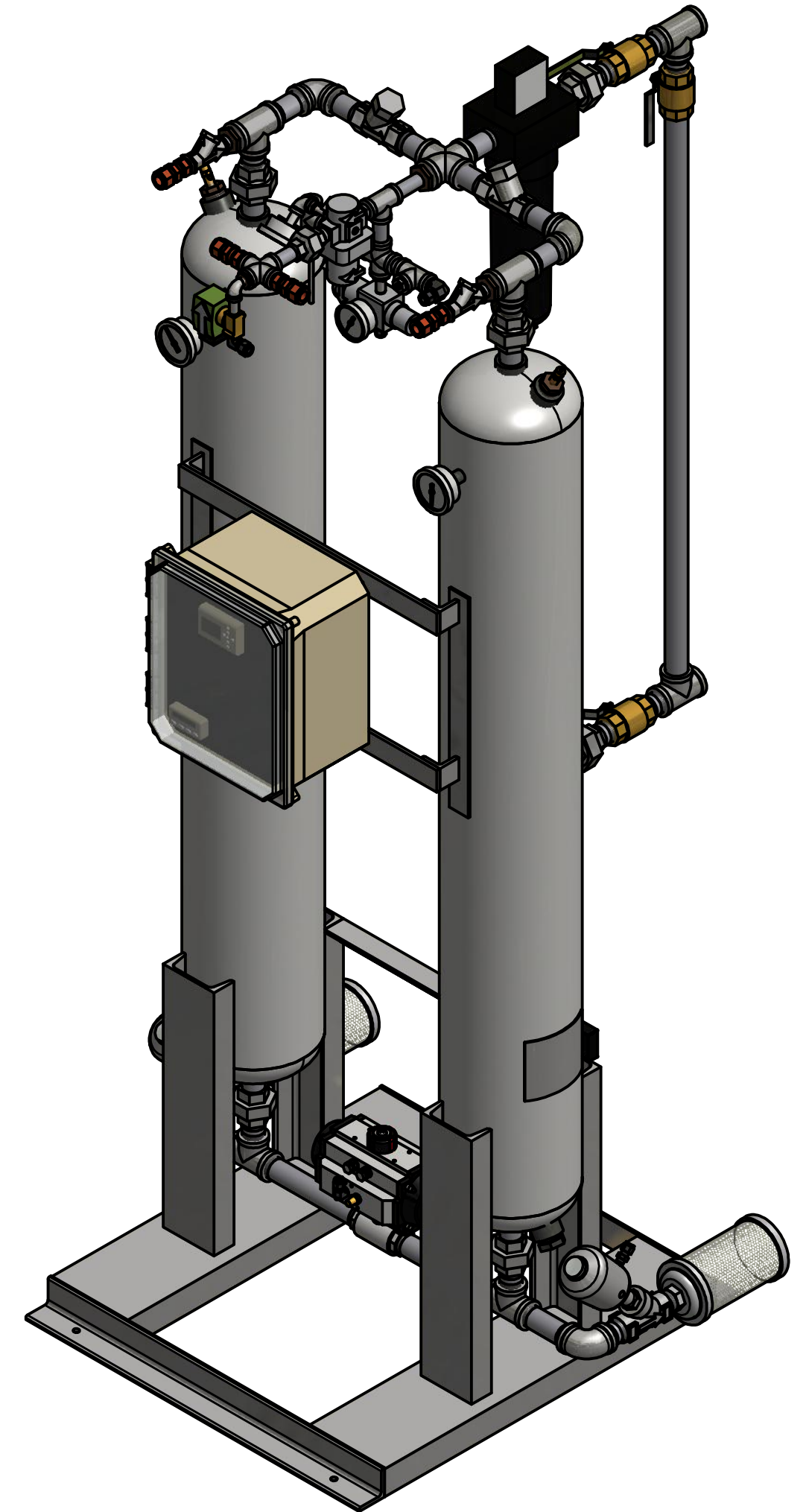
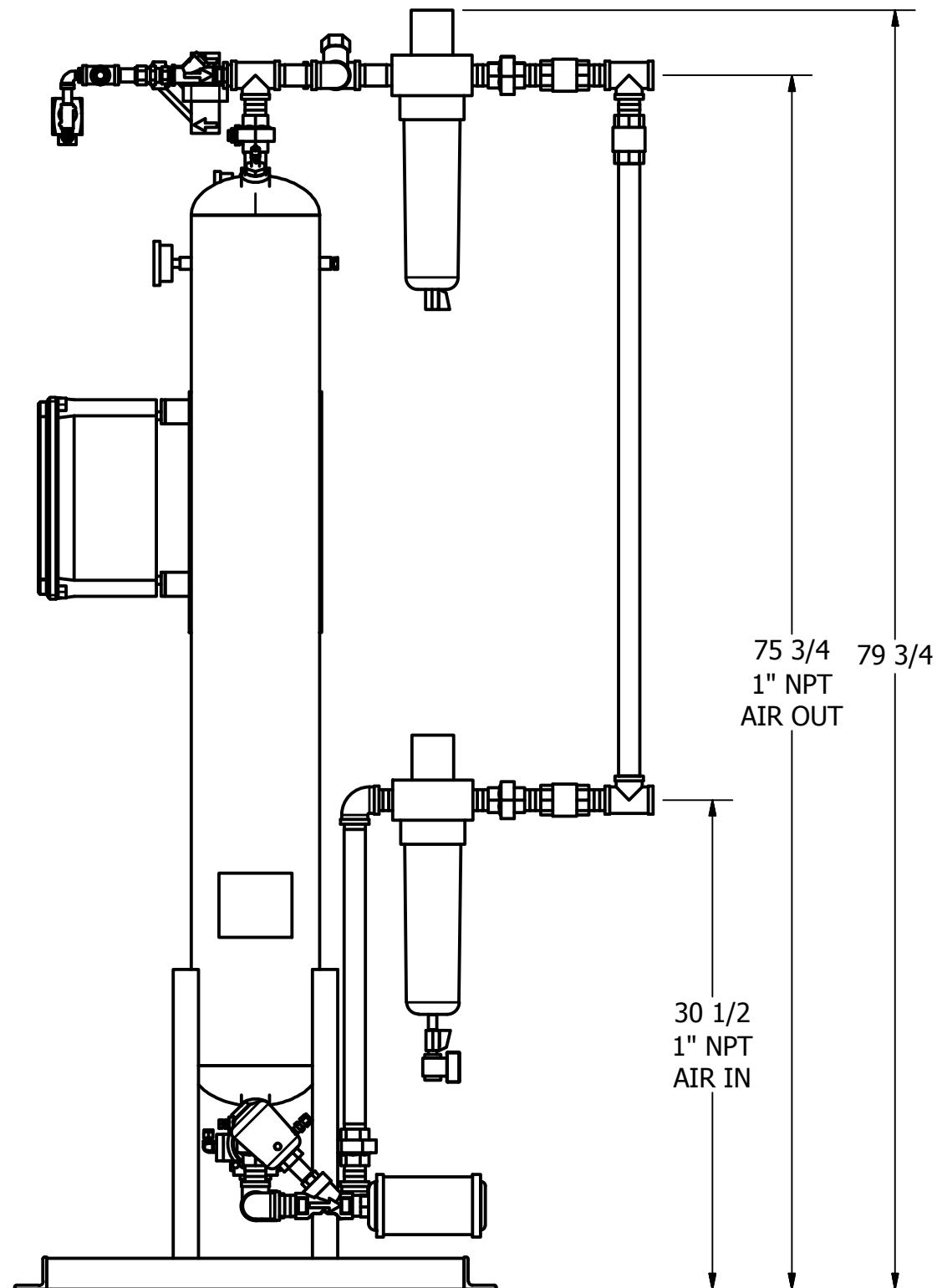
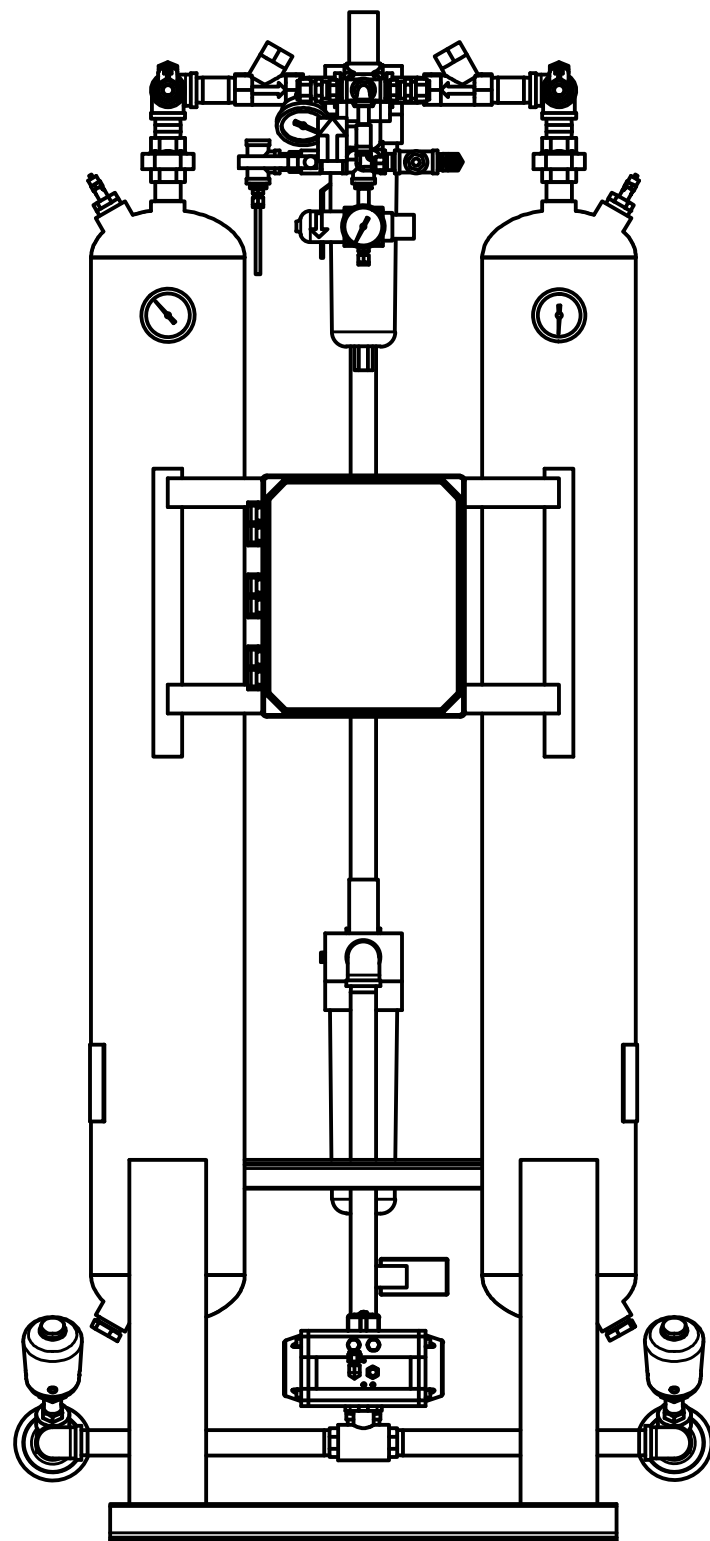
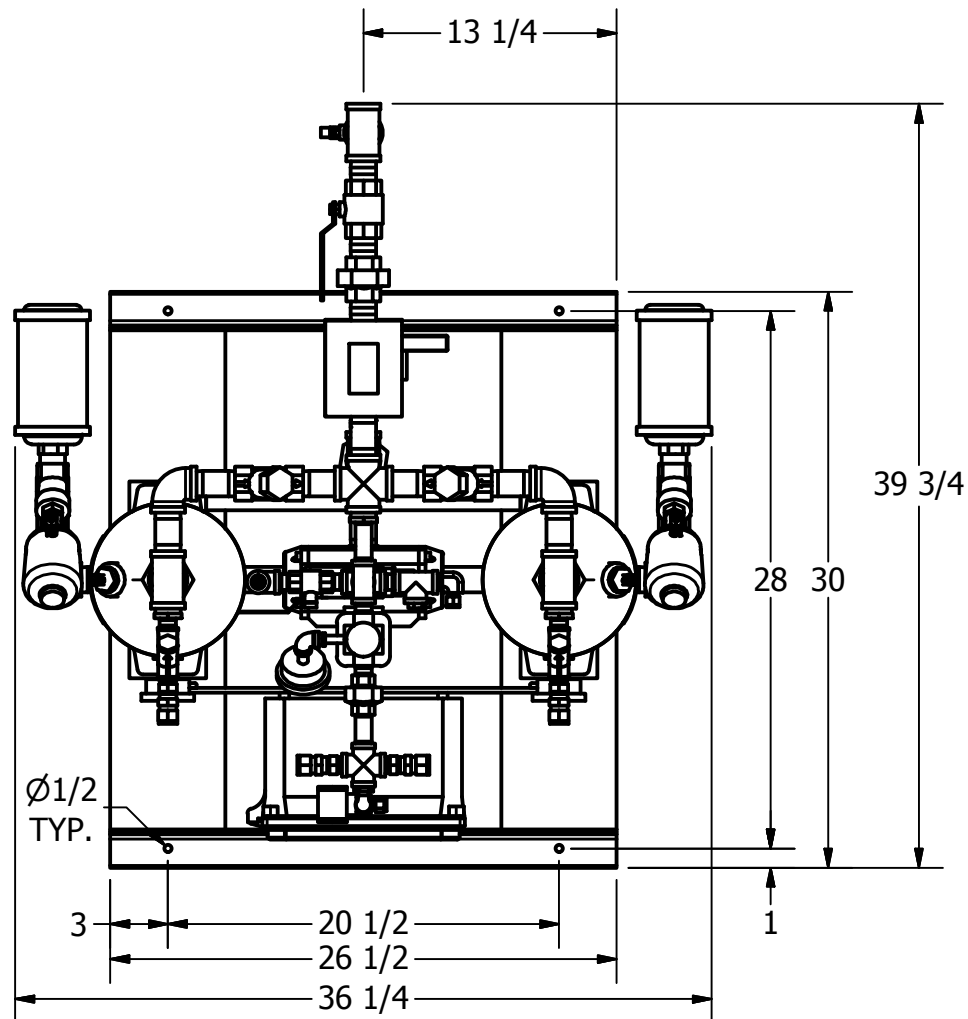
REV.
C

DRAWN: MR
 CHECKED:

DATE: 8/7/2015
 DATE:

SCALE: N/A

SHEET: 1 OF 2



PRELIMINARY



HRL-0100-1-3 HEATLESS DESICCANT AIR DRYER GENERAL ARRANGEMENT

TOLERANCES UNLESS
OTHERWISE SPECIFIED:

FRACTIONS = ± 1/4 "
ANGLES = ± 3°
INCHES = ± 1/2 "
FINISH = 250

THE SPECIFICATIONS AND DRAWINGS DISCLOSED HEREIN ARE THE SOLE PROPERTY OF ALTEC AIR, AND SHALL NOT BE COPIED OR USED AS THE BASIS FOR SALE OR MANUFACTURE WITHOUT EXPRESS WRITTEN PERMISSION.

REVISION LOG

REV.	ECO.	DESCRIPTION	DATE	APPROVED
C	1245	PRODUCTION UPDATES	3/18/2022	WS

DRAWING NO.

AT20-618

REV.
C

DRAWN: MR
CHECKED:

DATE: 8/7/2015
DATE:

SCALE: N/A

SHEET: 2 OF 2

PARTS LIST

ITEM	QTY	DESCRIPTION
1	2	CHECK VALVE, PURGE
2	2	CHECK VALVE, OUTLET
3	1	PRESSURE REGULATOR, PURGE
4	1	PRESSURE GAUGE, PURGE
5	1	PARTICULATE AFTER-FILTER
6	1	DEW POINT MONITOR (OPTIONAL)
7	1	SOLENOID VALVE, REPRESS
8	1	MOISTURE INDICATOR
9	1	PRESSURE REGULATOR, CONTROL
10	1	PRESSURE GAUGE, CONTROL
11	2	RELIEF VALVE, TANK
12	2	PRESSURE GAUGE, TANK
13	1	COALESCER PRE-FILTER
14	1	TIMED DRAIN
15	1	3 WAY BALL VALVE, INLET
16	2	ANGLE BODY VALVE, EXHAUST
17	2	MUFFLER, EXHAUST
18	3	MANUAL BALL VALVE, BYPASS
19	120 LBS	DESICCANT

PRELIMINARY

